

FENDT

Werkstatthandbuch

Workshopmanual

Manuel d'atelier

Manual de taller

Manuale per l'officina

Werkplaatshandboek

FENDT 900 Vario COM III

X 990.005.057.012

1

FENDT

A	General
B	Faults
C	Documents and Diagrams
D	Component location
E	Testing
F	Setting and Calibration
G	Repair
H	Service – Info

3120

Front axle/steering cylinder

FENDT 900 Vario - COM III

Volume 1

0000	Overall system/tractor
1005	Overall system/transmission
1010	Transmission/differential
1015	Transmission/axle drive
1050	Transmission/housing
1070	Transmission / Brake system
1080	Transmission/drive train
1200	Transmission/front PTO
1220	Transmission / Live PTO
1320	Transmission/front wheel drive
2000	Overall system/engine
2010	Engine/cylinder head
2050	Engine/cooling
2060	Engine/fuel system
2210	Engine/crankcase
2312	Engine/lubrication
2400	Engine/exhaust system
2712	Engine/injectors
3000	Overall system/front axle
3120	Front axle/steering cylinder
3180	Front axle/cardan shaft

Volume 2

4000	Overall system/steering
4090	Steering system / hydraulic steering unit
5030	Vehicle layout/operator's seat
5500	Overall system/air conditioning system
8100	Overall system/cab
8610	Power lift/EPC electro-hydraulic control
8631	Power lift/hydraulic lift
8800	Overall system/compressed air system

Volume 3

9000	Overall system/electrical system
9015	Electrical system/starter lockout

FENDT 900 Vario - COM III

Volume 4

- 9410** **Hydraulic pump installation/LS pump**
- 9430** **Hydraulic pump installation/steering pump**
- 9534** **Hydraulic piping/"Rüfa"reverse operation**
- 9600** **Overall system/hydraulic equipment**
- 9605** **Hydraulic equipment/hydraulic connections**
- 9610** **Hydraulic equipment/central control block
(ZSB)**
- 9620** **Hydraulic equipment/valve fitting**
- 9700** **Overall system/electronics**
- 9920** **Service/special tools**
- 9975** **Service/SERDIA - Deutz engine diagnostics
program**

3120 Front axle/steering cylinder

C Documents and diagrams5

C Documents and diagrams

1	Technical drawing: Steering cylinder and track rod	7
---	--	---

1 Technical drawing: Steering cylinder and track rod

Workshop manual (DANA – front axle) X 990.005.058.000 valid for:	
Type 970/130	without front-wheel brake
Type 970/140	with front-wheel brake

- Remove steering cylinder
- Calculate if shims required
- Fit steering cylinder
- Install steering cylinder (fit to tractor)

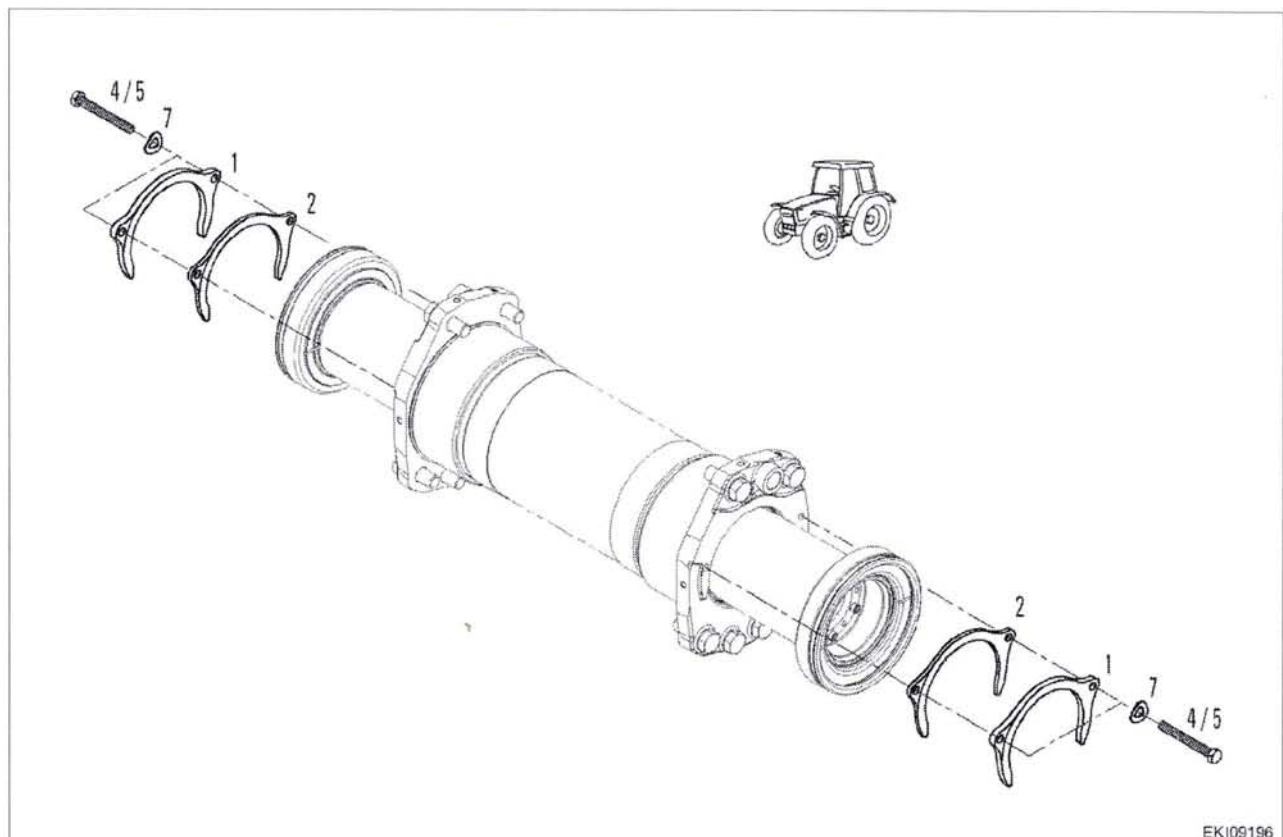


Fig. 1. Eki09196
1004872

Steering cylinder			
Item	Designation	Item	Designation
1	Shim (8 mm) (931.303.120.020) Add if required	5	Hex screw
2	Shim (5 mm) (931.303.120.010) Add if required	7	Spring washer
4	Hex screw		

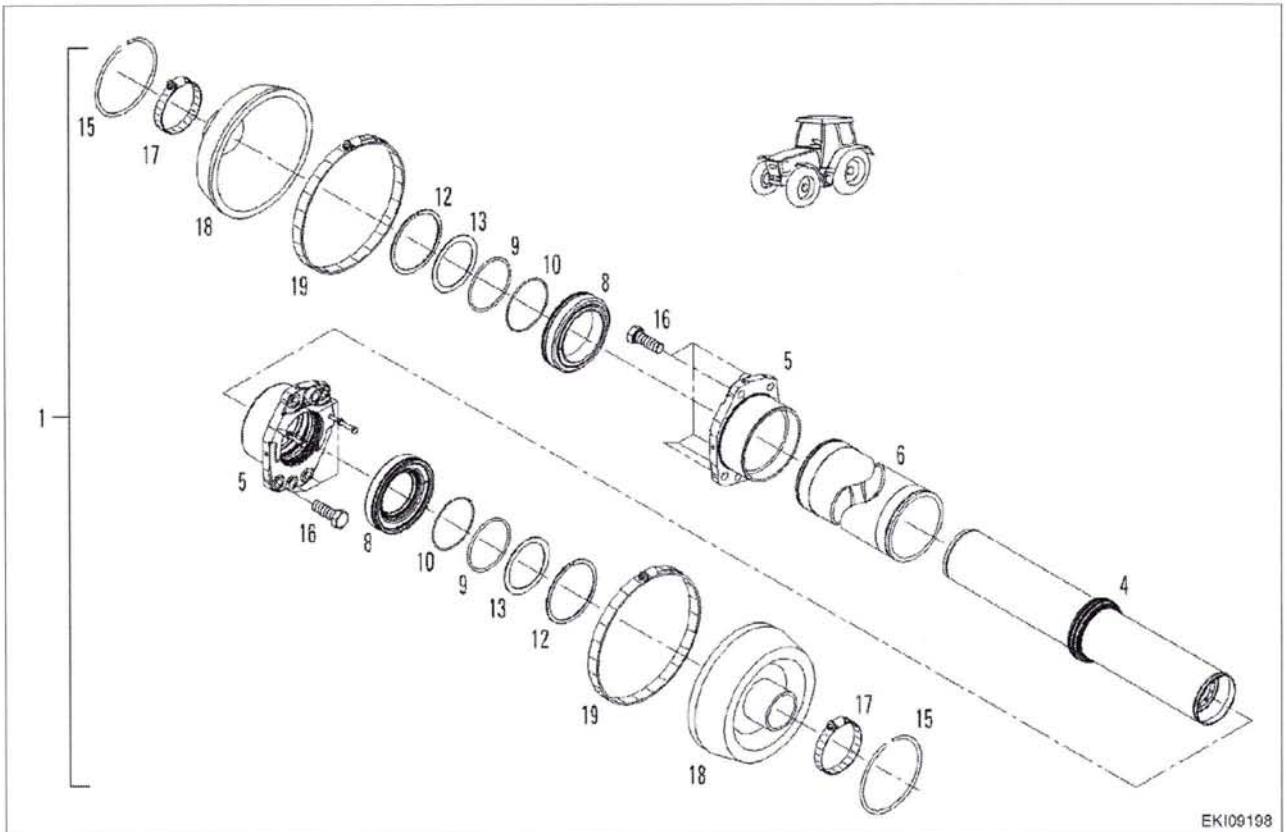


Fig. 2.

Steering cylinder			
Item	Designation	Item	Designation
1	Steering cylinder, Seal set	12	Snap ring
4	Piston rod	13	Shim
5	Guide bush	15	Snap ring
6	Cylinder barrel	16	Hex screw
8	Stop	17	Hose clamp
9	O-ring	18	Gaiter
10	Snap ring	19	Gripper clamp

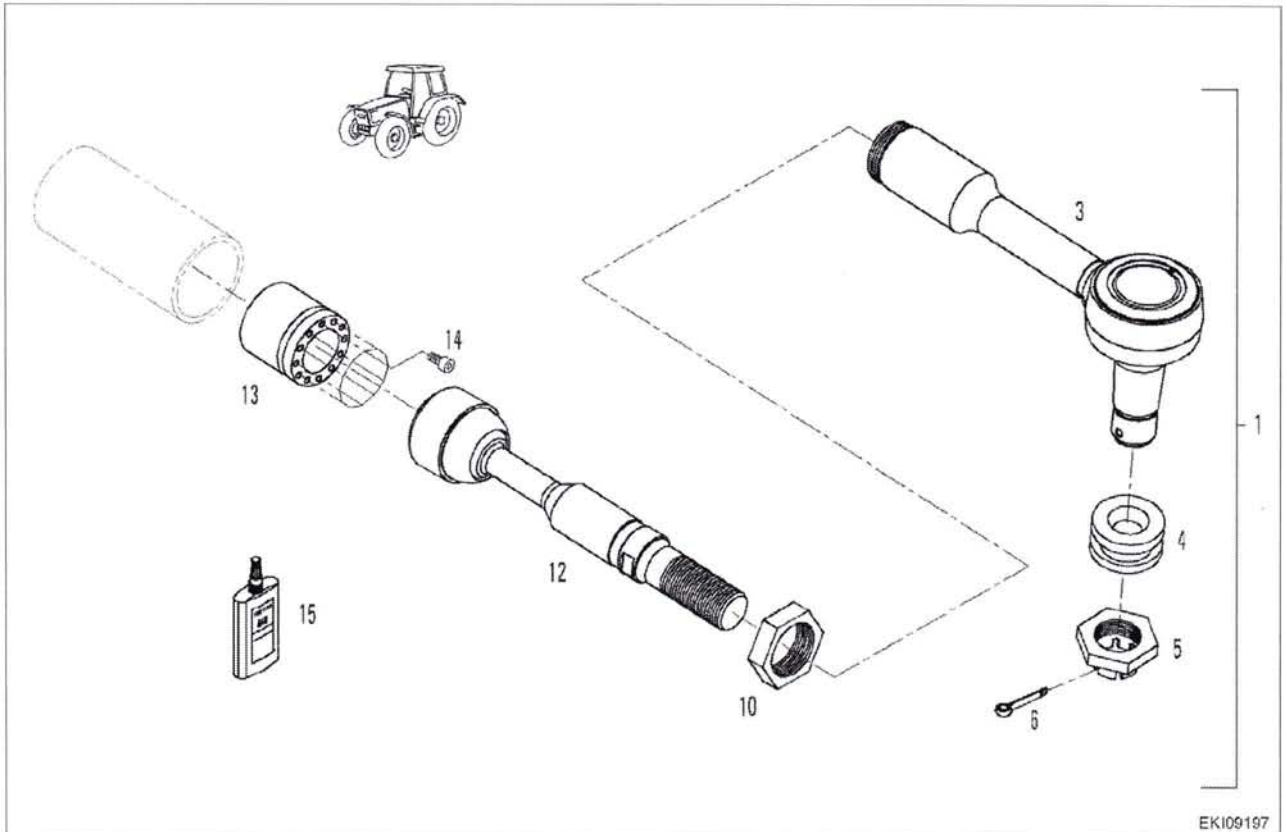


Fig. 3.

EKI09197
 1004873

Track rod			
Item	Designation	Item	Designation
1	Track rod	10	Hex nut
3	Application	12	Application
4	Gaiter (not available individually)	13	Jack screw
5	Castellated nut	14	Socket head cap screw
6	Split pin	15	Synthetic bonding agent (X 903.050.041.000)

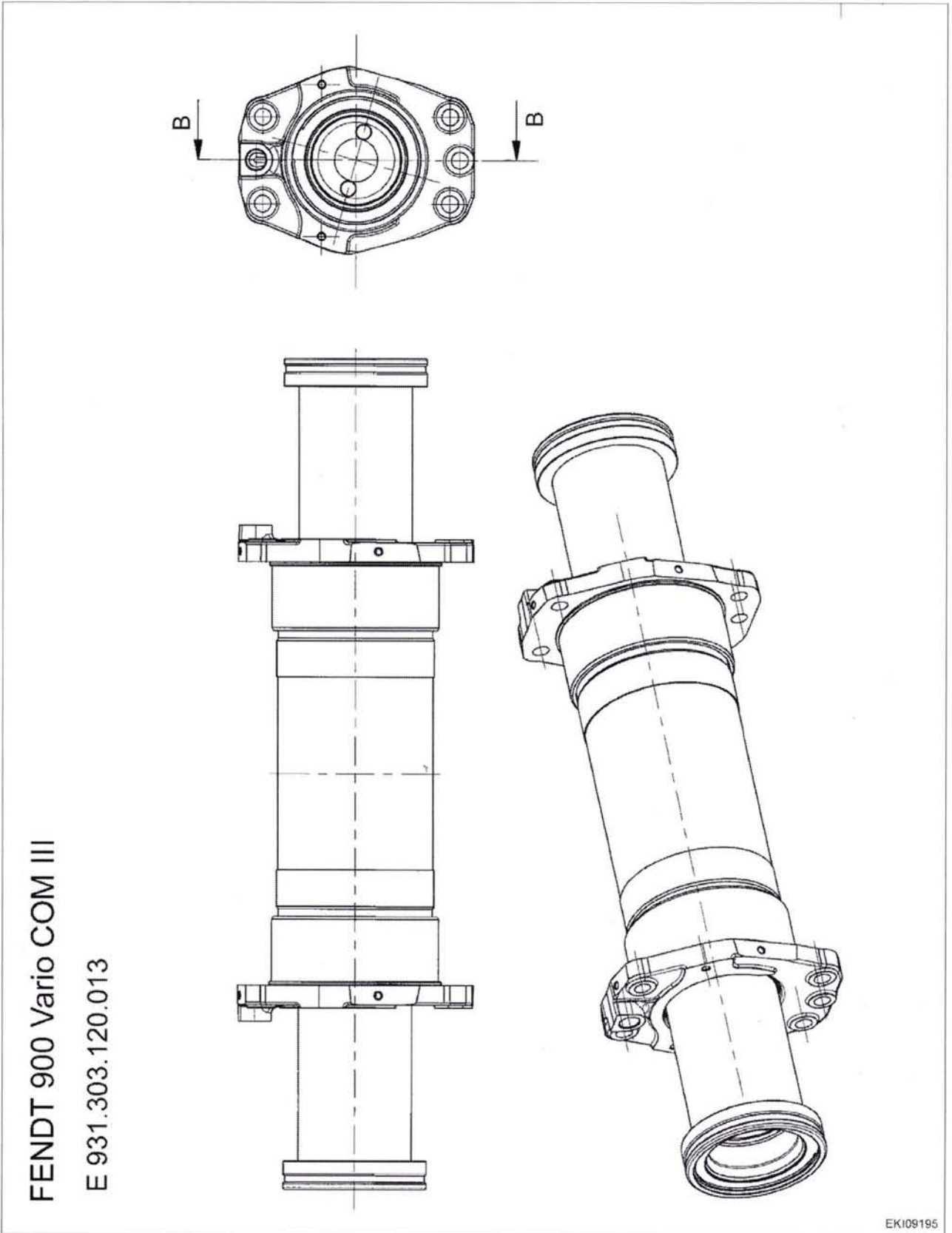


Fig. 4. Steering cylinder

EK109195

1004876

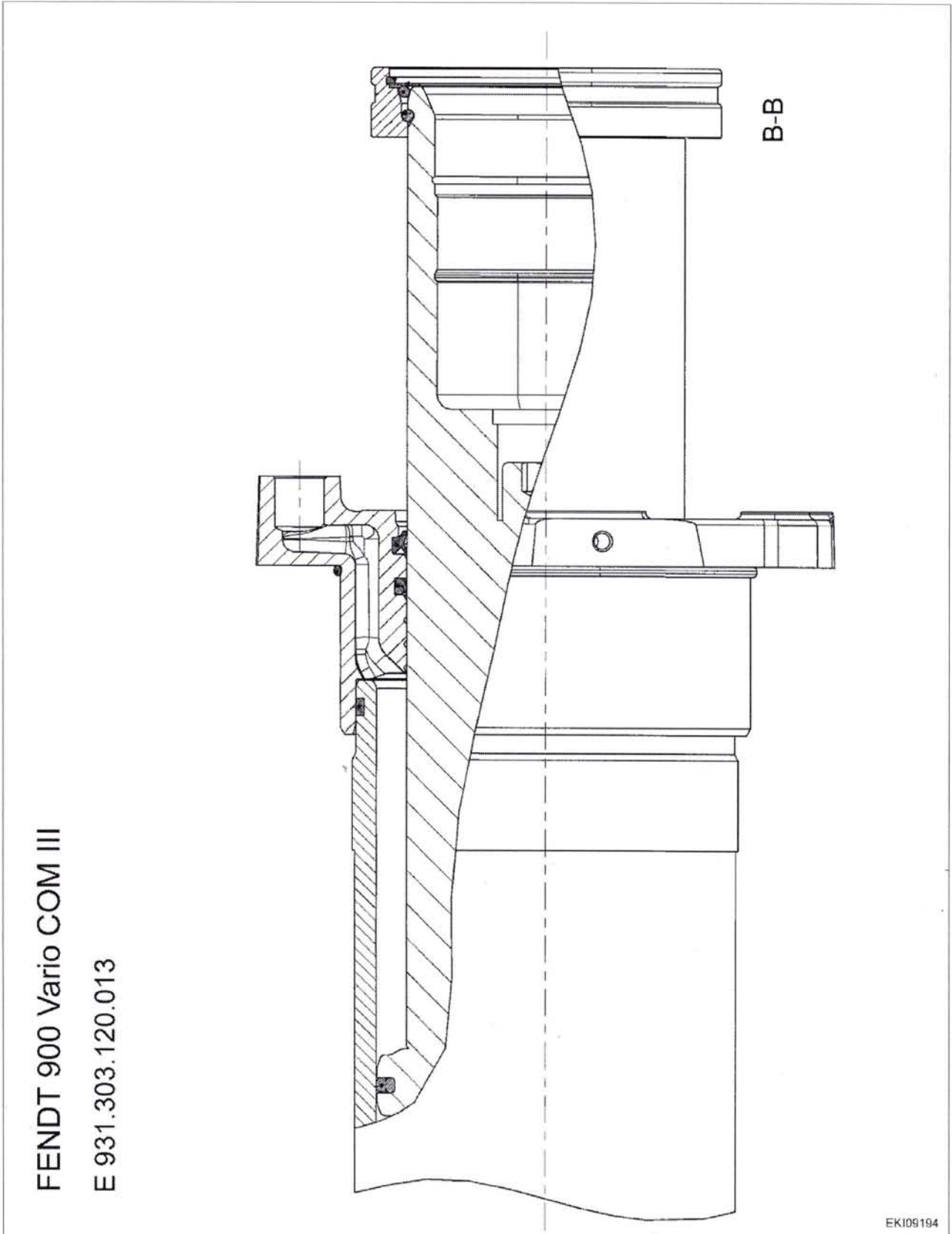


Fig. 5. Steering cylinder (seal rings)

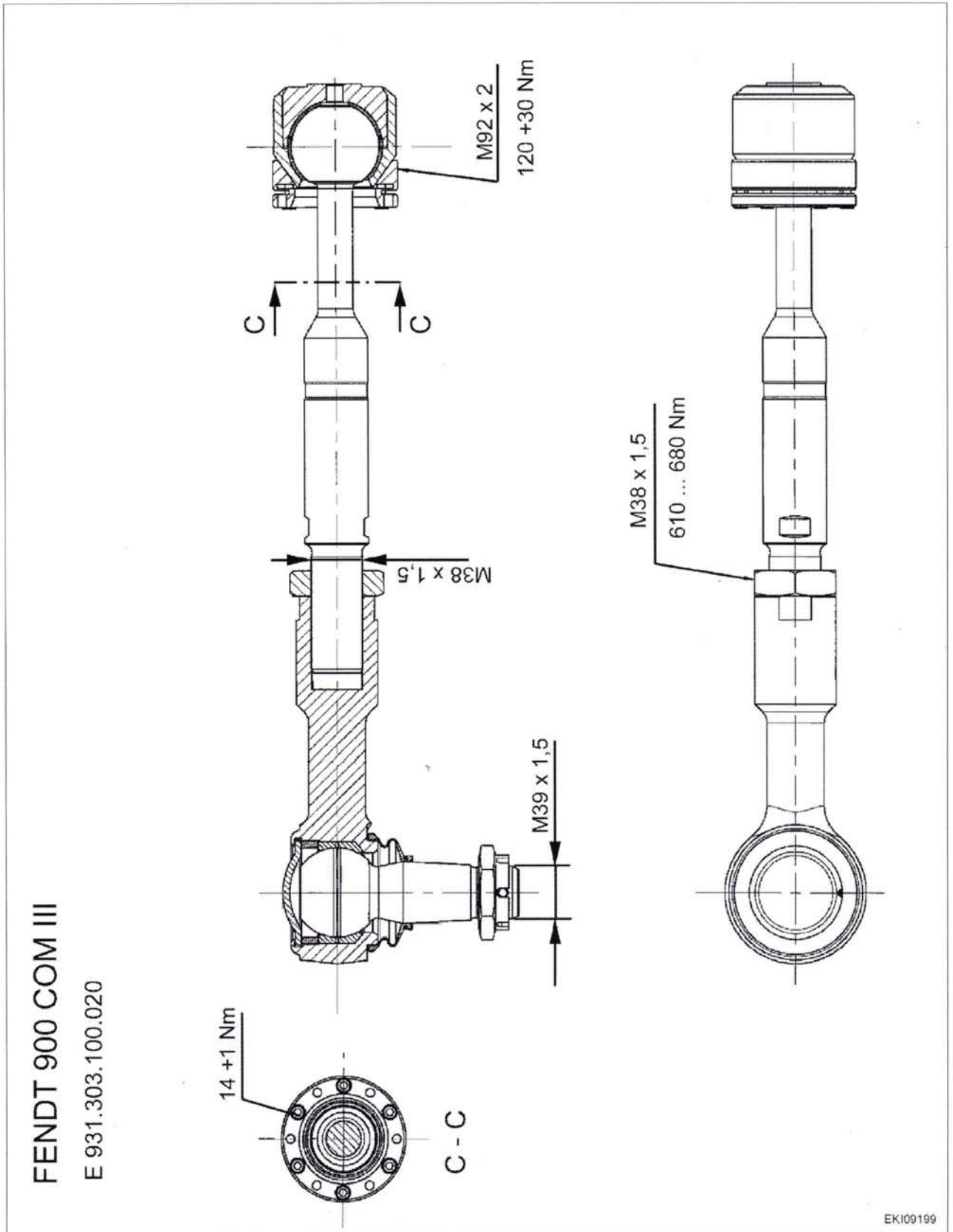
1004875

919 .. 0101-1000
 919 .. 1001-
 922 .. 0101-1000
 922 .. 1001-
 925 .. 0101-1000

925 .. 1001-
 928 .. 0101-1000
 928 .. 1001-
 931 .. 0101-1000
 931 .. 1001-

934 .. 0101-1000
 934 .. 1001-

T001521
 Version 1
 21-04-2009



EKI09199

Fig. 6. Track rod

1004877